



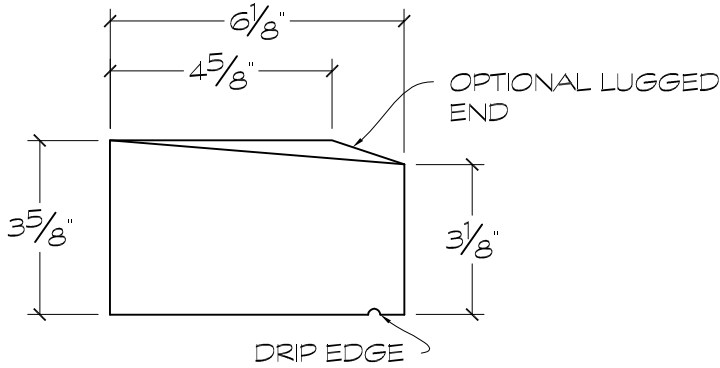
Harvey Cement Products, Inc.

Since 1947

16030 Park Avenue, Harvey, IL 60426

Ph: 708.333.1900 F: 708.333.1910

www.harveycement.com



CROSS SECTION

① **PROFILE GS**

ARCH REF:
SCALE: 3"=1'-0"

Profile ID

GS

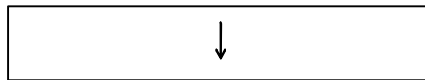
SUGGESTED USE

Sill	X
Transition Band	
Coping	
Cap	
Field / Band	
Cornice	

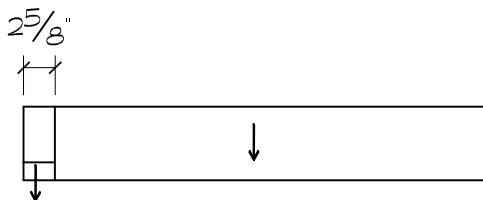
TYPE / SIZE AVAILABILITY

TYPE	LENGTH(S)
Straight	Up to 47 15/16"
Lug - Left End	Up to 53 3/16"
Lug - Right End	Up to 53 3/16"

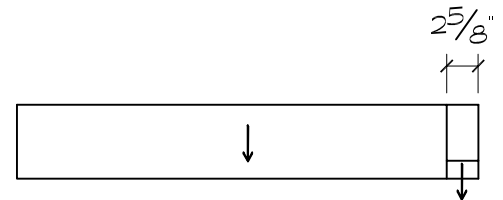
TOP VIEWS



STRAIGHT



LUG - LEFT END



LUG - RIGHT END

DRIP EDGE - OPTIONAL